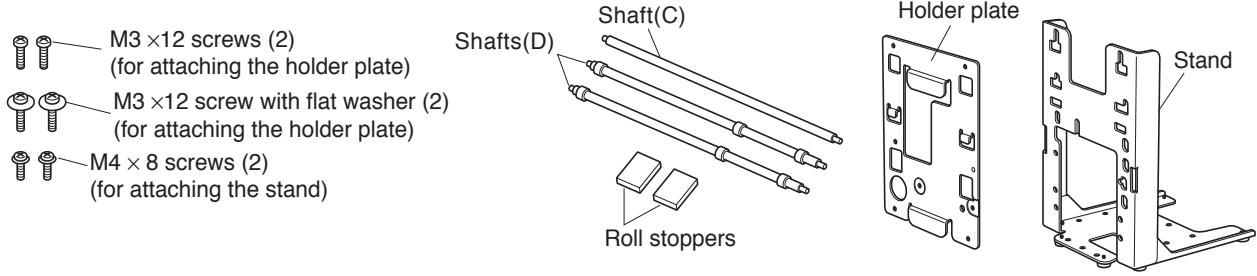


Attaching the TSP700II vertical stand

1. Unpacking : Confirm that all accessories are included.



Note: Two shafts (D) are already attached, so this cannot be used.

2. Attachment procedures :

Note: Ensure that power that is supplied to the printer and that all devices connected to the printer have been switched OFF and that the cables have been unplugged before starting the modification. If the AC adapter is connected to the printer, unplug it from the main socket.

The base for setting the stand should be within a range of $\pm 2^\circ$ in reference to the horizontal direction.

2-1. Attaching the shaft

Attach the shaft.

Note: Two shafts (D) are already attached.

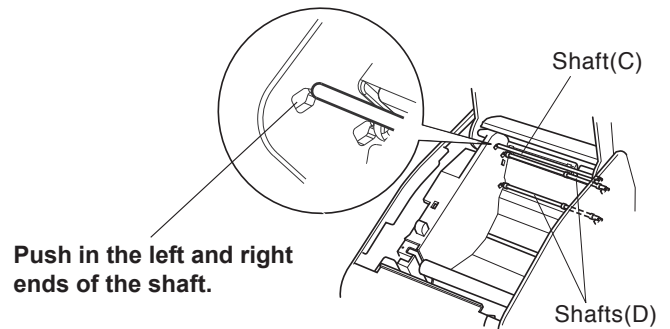


fig.1 Attaching the shafts

2-2. Attaching the roll stoppers

Wipe the area into which the rubber feet will be affixed in order to remove any grime; then, affix the roll stoppers. The positions for affixing them will vary depending on the paper width.

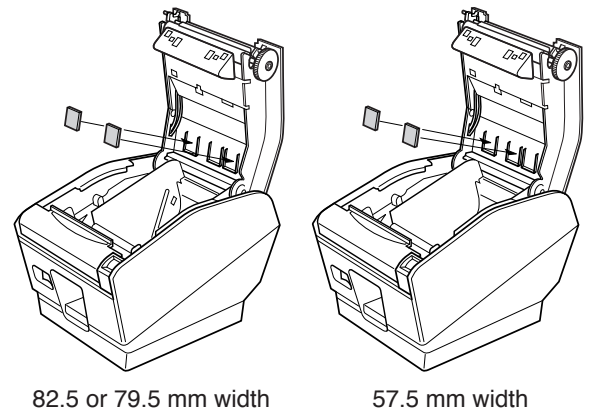
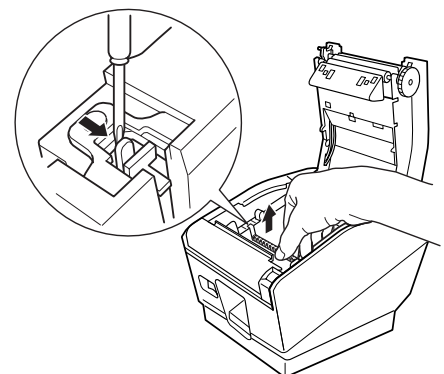


fig.2 Attaching the roll stoppers

2-3. Removing the tension bar unit

Use a regular screwdriver to remove the clips at both ends of the bar to remove the tension bar unit.

Note: If the paper width is 79.5 or 82.5mm and the paper thickness is less than 100 μm , you do not need to remove the tension bar unit.



2-4. Attaching the holder plate

- ① Remove the two screws from the printer as shown in the illustration.
- ② Attach the holding plate to the printer. Then tighten the four M3 screws that were supplied to secure it in place.

The screws fitted with flat washers are used where the screws were previously removed.

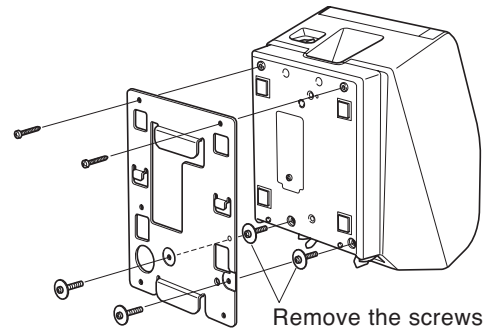


fig.4 Attaching the holder plate

2-5. Setting the printer on the stand

Insert the two hooks on the holding plate through the two holes on the stand. Three different positions are available for insertion. Select the position you require.

Once the hooks have been inserted into the holes, secure the printer on the stand using the two screws.

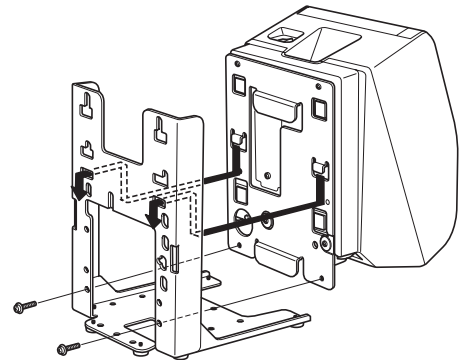


fig.5 Setting the printer on the stand

2-6. Setting the roll paper in place

- ① Push the cover open lever, and open the printer cover.
- ② Insert the roll paper as shown.

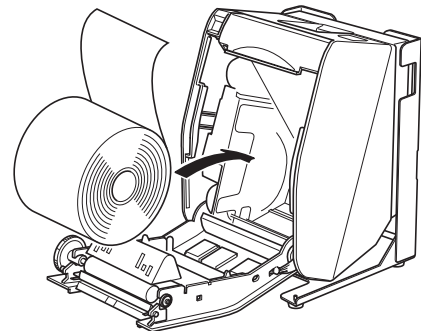


fig.6 Setting the roll paper in place

2-7. Changing the Memory Switch

Use Configuration Utility to change Printer Position setting of Memory Switch from “Horizontal” to “Vertical”, or use Printer Utility to change Position of Paper Near End Sensor setting of Printer Settings from “Horizontal” to “Vertical”. If you cannot use Configuration Utility or Printer Utility, follow these steps to change the MSW (Memory Switch) A-9 from “OFF (0)” to “ON (1)”.

- ① Open the printer cover, then turn the power on while holding the FEED button. Continue holding down the FEED button until the POWER lamp and the ERROR lamp begin flashing.
- ② The printer will change the MSWA-9 setting (Horizontal/Vertical) when these have flashed for three seconds.
- ③ Run the Self-test Printing to make sure that MSWA-9 is “ON (1)”.